

Securefast

Entra Access Control

securefast.co.uk

SPECIFICATION MANUAL



Part of the
Securefast Group

- SECUREFAST
- DEEDLOCK
- PINSON
- TATE
- COLSON

Entra access control - Controllers



Introduction to Entra

The Entra range of access control products is designed and manufactured in the UK. The system offers electronic access control on up to 65,000 doors and has the capacity for 10,000 users.

The heart of the Entra system is a sophisticated controller which can be used to control a range of reading technologies including biometrics and proximity readers. The Entra-Net controller has an Ethernet interface which can be assigned an IP address enabling the server to communicate directly over LAN/WAN. Doors in remote locations therefore can be incorporated into the system. The system can be installed by any competent installation engineer without the need for special equipment or training.

Features & Benefits

- Controllers can be used with a variety of readers
- Up to 10,000 users per system
- Up to 65,000 doors per system
- Simple PC software to administer the system
- Up to 64 time zones
- Anti-tailgate function
- Options for Ethernet or USB connectivity
- Internal light within the controller to aid installation/maintenance

Product code:	Description
AEN2001	Entra 1 Door - Online Controller
AEN2002	Entra 2 Door - Online Controller
AEN2003	Entra-Net - 1 Door - IP Controller
AEN2004	Entra-Net - 2 Door - IP Controller



Entra Iris Take-On Desk Mounted Reader
AEN4002



Iris Recognition

The Entra Iris Recognition Reader is ideal for applications where a higher level of security is required.

The Iris Reader is motorised to allow the lens to focus on the eyes, adjusting to a wide range of user heights. This is more convenient for the user and also reduces the time required to make an accurate reading.

The system is capable of matching 2,500 images per second in order to identify the user. Once identified, a Wiegand interface links to the Entra controller to allow quick and reliable access.

The reader may also be supplied for stand-alone applications to be used in conjunction with leading brand access control systems via a Wiegand output.

- Readers are linked directly to Entra Controller
- May be used in conjunction with other leading brands - Contact our technical support team for details
- Fast and effective reading
- Simple installation
- Wireless option

Product code:	Description
AEN4001	Iris Reader only
AEN4002	Iris Take-On Desk Mounted Reader
AEN4004	Acid Pro Software for 2 or More Readers
AEN4005	Iris Reader with Controller and Acid Lite Software
AEN4006	Wireless Upgrade

Entra access control - Reader Options



Entra Mifare
Switch-plate Reader - AEN 1001



Entra Mifare
Mullion Reader - AEN 1002



Entra Hi Spec
Mullion Reader - AEN 1004



Entra Hi Spec
Switch-plate Reader - AEN 1003

Proximity Readers

Two reader options, **Mifare** and **Hi Spec** are available for use with the Entra controller and system software.

The Mifare readers are limited to 2,000 users and utilise a 13.65MHZ contactless card technology which is widely used in cashless vending and ticketing applications such as the London Transport 'Oyster Card'. The high impact ABS construction includes highly visible red/green indicator lights.

The Hi Spec readers are capable of supporting up to 10,000 users and use RFID technology proximity card or token. Each Hi Spec reader has a stainless steel face plate with integral multicolour indicator lights within the perspex back. The Switch-plate reader option mounts directly to a single gang back box with security fixings.

Other manufacturers' reading technologies may be used with the system. Please contact our technical department on + 44 (0) 1704 502815 for further information.

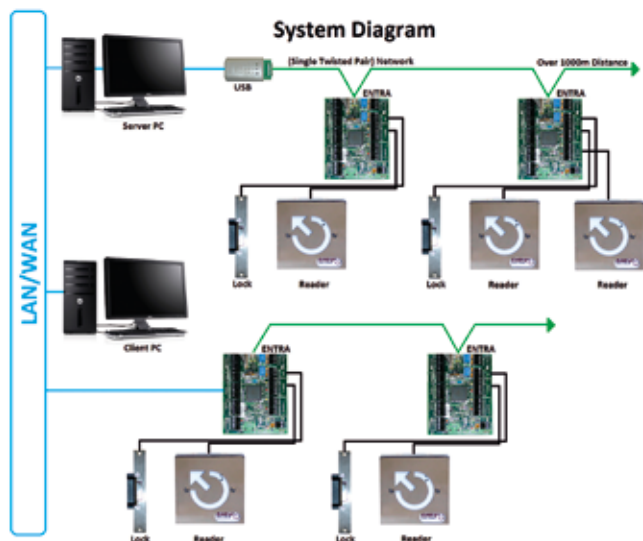
Entra Hi Spec
Mullion Reader - AEN 1004



Entra credentials including fob, card and self adhesive 'Dot'

Product code:	Description
AEN1001	Entra Mifare - Switch-plate Reader
AEN1002	Entra Mifare - Mullion Reader
AEN1003	Entra Hi Spec - Switch-plate Reader
AEN1004	Entra Hi Spec - Mullion Reader
AEN1005	Entra Panel Mount Reader

Entra access control - Technical Details



USB Connectivity

An Entra USB interface simply plugs into the server PC's USB interface and allows up to 16 doors to be connected per USB interface. The Entra network uses a single twisted pair to connect controllers up to 1000m away.

IP

The Entra-Net controller has an Ethernet interface and can be assigned an IP address so that the server can communicate directly over the LAN/WAN. This means doors in remote locations can be incorporated into the system. Once connected, further door controllers can be connected using the Entra network. Programming of IP Parameters is done from the keyboard in the Entra-Net controller. The dual speed 10/100 Base T port is auto sensing, allowing connection to almost any standard HUB or Switch. The UDP/IP protocol gives extremely low network traffic and will hardly be noticed on the LAN.

Fully Distributed Intelligence

The Entra access controller is not dependant on any central hardware for operation. If the network cable is cut or the controlling PC is not available, all the controllers will continue to function.

Specify -

Connectivity has been simplified to just two options (USB and IP). The Entra network then uses a single twisted pair to connect controllers up to 1000 metres away. One controller per door with the option of card in/card out makes listing the equipment needed child's play.

Install -

Any competent installation engineer will be able to install this equipment without any special training. The wiring has been greatly simplified, reducing the number of both cores and cables. The reader also mounts on a standard UK single gang back box, making first fix possible.

Use -

The software has been carefully designed to be easy to use. A setup Wizard will take you through registering the cards/fobs. The cards/fobs can be entered manually or simply presented to the reader. The Wizard will then do the rest of the work to get the cards/fobs working. Standard Windows™ interface techniques have been used so that users will be able to start using the software with very little guidance.

Specification

Doors	64,000 max.
PC Interface	USB or TCP/IP (Ethernet)
Software	professional
Database (SQL Server)	✓
Live extent report	✓
History report	✓
Attendance/Absence report	✓
Roll call report	✓
Client workstations	5
Photo ID badge printing	✓
Text alarms with audit trail	✓
Zoned door release on fire alarm	✓
Automatic scheduled backup	✓
Automatic scheduled archive	✓
Set up Wizard	✓
ID badge design	✓
Zoned APB	✓
Floor plan alarms	✓
Card data Import	✓

Controller

Ethernet (Entra-Net only)
Speed 10 Base-T or 100 Base-T (Auto sensing)
Cable Cat. 5 Tested Pair Copper (90 metres max.)
Management via programming keyboard inside the controller

Network

RS485 (2 wire) half duplex
Cables Belden 8132 - 1000m max.

Functions

Event memory	2000
Time zones	64
Time elements	250
Calendars	8
Proximity Cards/Fobs	10,000
Mifare Cards/Fobs	2,000
Access levels	125

Interface

Reader interfaces	2 (card in/out)
Lock release timer	1 to 99s. (0 for Toggle mode)
Relay outputs	2 (NC, C, NO)
Relay contact rating	3.0 A at 30v DC
Egress	Request to Exit input
Door monitor	Contact closed when door is open
Auxiliary inputs	Fire, Intruder/Tamper
Alarms	PDO, Door Forced

Other Securefast Products



Digital Locks



Access Control



Audio & Video Entry



Fire Alarm



Panic Exit Hardware



Lockcases

Securefast

Unit 6, The Cedars Business Centre, Avon Road, Cannock, Staffordshire WS11 1QJ
Tel: +44 (0) 1543 501600 Fax: +44 (0) 1543 501601

www.securefast.co.uk Email: sales@securefast.co.uk