

# TGS Fingershield - Protects Children's Fingers



40,000 children under the age of 15 visit  
Accident & Emergency each year with finger injuries  
*Royal Society For The Prevention of Accidents (RoSPA)*



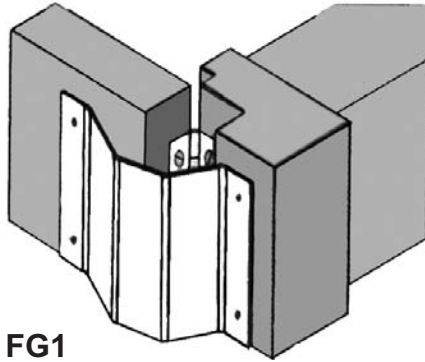
**Sometimes -  
It's too late when things go wrong**



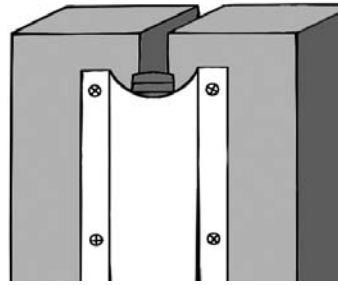
**Protect Children's Fingers  
- Fit TGS Fingershield**



# TGS Fingershield - Protects Children's Fingers



**FG1**  
Hinge opening side



**FG2** Hinge knuckle side



- 10 Year guarantee
- Tested in the UK to 1.8 million cycles
- Easy to install - Requires only one fitter
- Supplied in 1.96 m lengths
- One piece construction
- Suitable for doors opening to 180°
- Suitable for double action / pivoted doors
- Environmentally friendly

<b>FG1</b>	Hinge opening side	White Brown Colours
<b>FG2</b>	Hinge knuckle side	White Brown Colours
<b>FG3</b>	Door set comprising 1 x FG1 & 1 x FG2	White Brown Colours
<b>FG4</b>	Door set for double action doors comprising 2 x FG1XL	White Brown Colours

